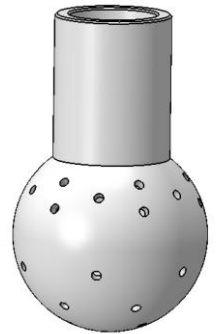
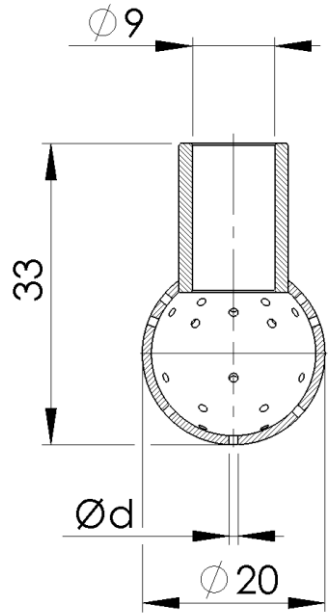




**CAGGIATI**  
**INOX**

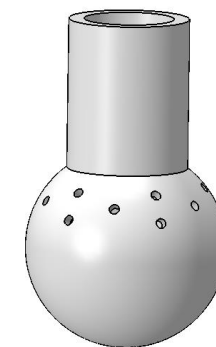
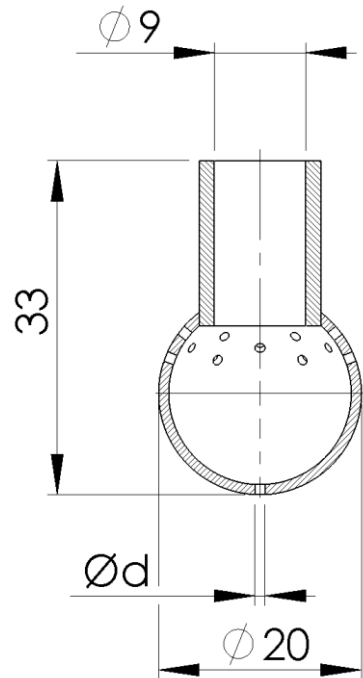
Pressure (Bar)		0,5	1	Spray Pattern	Wetting radius (m)	Couplings
Code	Ød mm	flow rate (lt/h)				
20A10	1	<b>390</b>	<b>500</b>	360°	0,5÷1	Weld
20A16	1,6	<b>510</b>	<b>640</b>	360°	0,5÷1	Weld





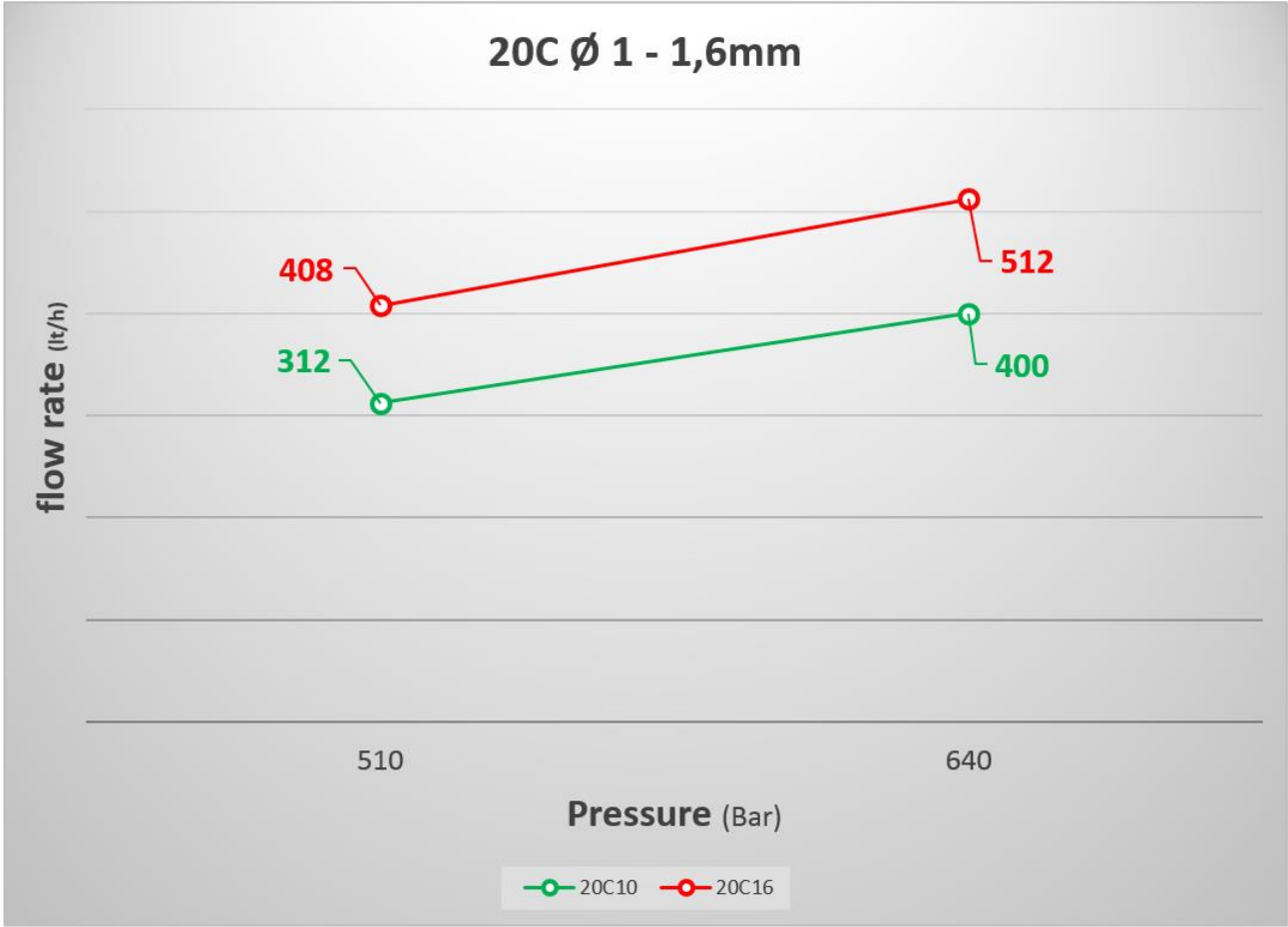
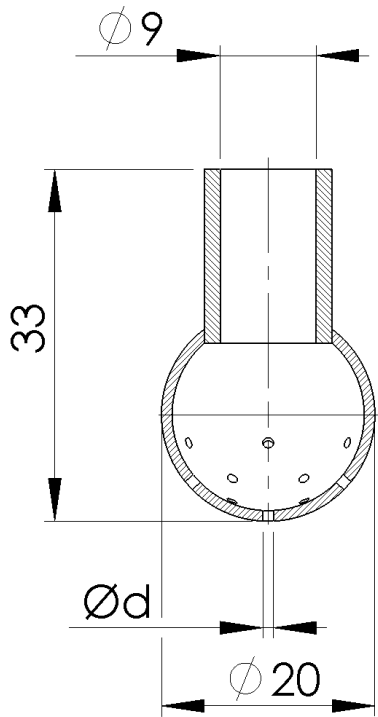
**CAGGIATI**  
**INOX**

Pressure (Bar)		0,5	1	Spray Pattern	Wetting radius (m)	Couplings
Code	Ød mm	flow rate (lt/h)				
20B10	1	<b>273</b>	<b>350</b>	180°↑	0,5÷1	Weld
20B16	1,6	<b>357</b>	<b>448</b>	180°↑	0,5÷1	Weld





Pressure (Bar)		0,5	1	Spray Pattern	Wetting radius (m)	Couplings
Code	Ød mm	flow rate (lt/h)				
20C10	1	312	400	180°↓	0,5÷1	Weld
20C16	1,6	408	512	180°↓	0,5÷1	Weld





**CAGGIATI**  
**INOX**

Pressure (Bar)		0,5	1	Spray Pattern	Wetting radius (m)	Couplings
Code	Ød mm	flow rate (lt/h)				
20D10	1	<b>312</b>	<b>400</b>	180°→	0,5÷1	Weld
20D16	1,6	<b>408</b>	<b>512</b>	180°→	0,5÷1	Weld

