

CAGGIATI

INOX

CATALOGO TESTINE
E UGELLI ROTANTI

ROTARY HEADS
AND NOZZLES





Testine e Ugelli Rotanti

Questa completa gamma di prodotti per bassa ed alta pressione è stata sviluppata per soddisfare ogni necessità di sanificazione e pulizia, dal piccolo contenitore fino ad arrivare al grande ambiente.

Questi sistemi di movimento auto rotanti per testine di lavaggio sono a rotazione variabile per un'ottimo lavaggio.

In alcuni casi si tratta di un'efficiente alternativa alle sfere di lavaggio fisse, richiedendo una minore portata d'acqua.

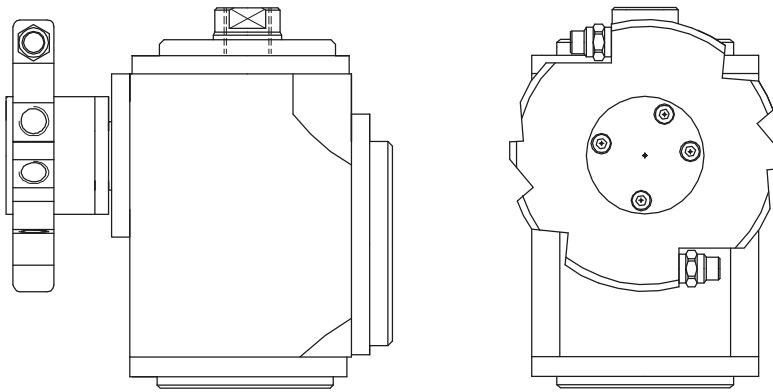
Rotary Heads and Nozzles

This comprehensive range of low and high-pressure products was designed to meet any kind of sanitation and cleaning needs, from the smallest of containers to the largest of spaces.

These selfspinning devices for cleaning heads have variable spinning speed for maximum tank cleaning.

They are, in some cases, a more efficient alternative to fixed spray balls, requiring lower flow rates.

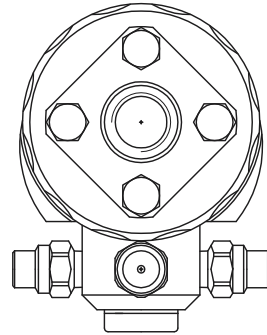
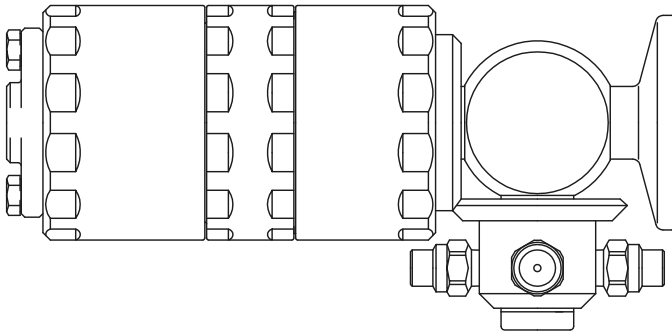
CH020



DATI TECNICI | TECHNICAL DATA

OPERATING FLOW RANGE	8 - 200 L/MIN
OPERATING PRESSURE RANGE	8 - 200 BAR
MAX OPERATING TEMPERATURE	90°C
NOZZLES POSITIONS	2-4
NOZZLES THREAD	1/4" G
MATERIAL	
INOX AISI 316	weight 10.5 Kg
ALUMINIUM	weight 5.5 Kg

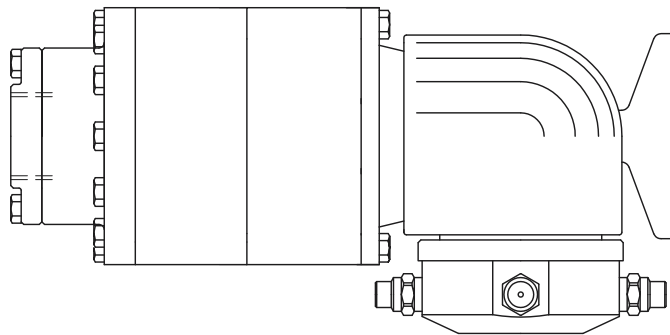
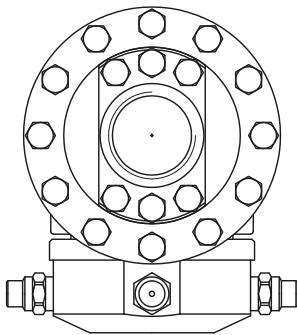
CH030A



DATI TECNICI | TECHNICAL DATA

FILTER	700 MICRON
OPERATING FLOW RANGE	10 - 30 L/MIN
OPERATING PRESSURE RANGE	5 - 150 BAR
MAX OPERATING TEMPERATURE	90°C
NOZZLES POSITIONS	2-4
NOZZLES THREAD	1/8" NPT
MATERIAL	INOX AISI 316
ROTATION SPEED RANGE	15 TO 25 RPM
WEIGHT	2.7 Kg

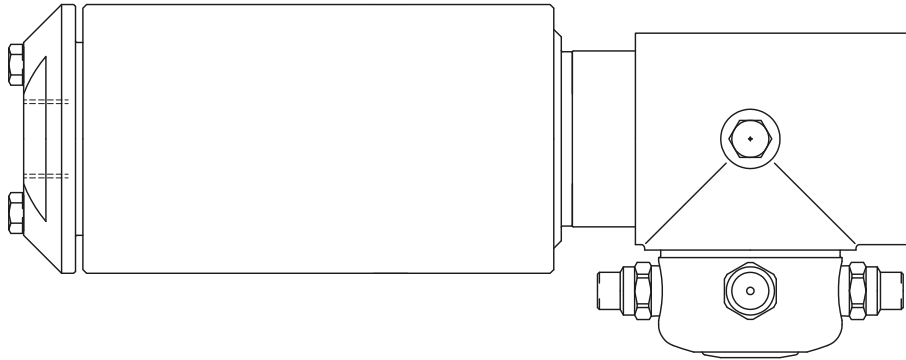
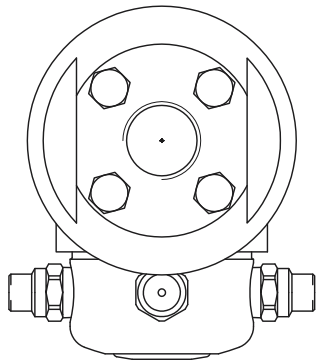
CHo86A



DATI TECNICI | TECHNICAL DATA

FILTER	700 MICRON
OPERATING FLOW RANGE	15 - 60 L/MIN
OPERATING PRESSURE RANGE	5 - 200 BAR
MAX OPERATING TEMPERATURE	90°C
NOZZLES POSITIONS	2-4
NOZZLES THREAD	1/4" NPT
MATERIAL	INOX AISI 316
ROTATION SPEED RANGE	6 TO 16 RPM
WEIGHT	9.6 Kg

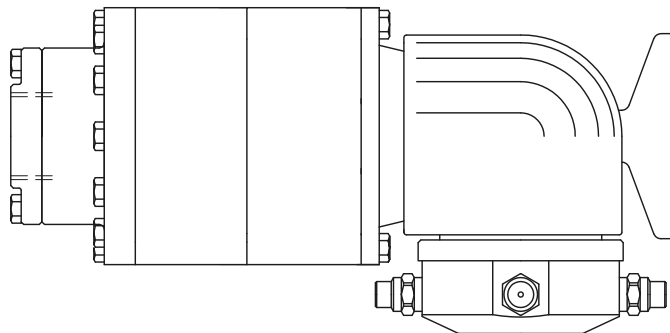
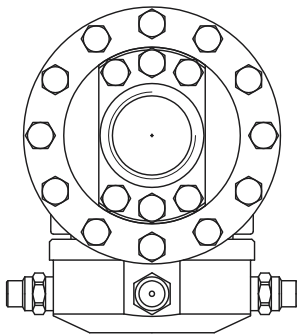
CH190A



DATI TECNICI | TECHNICAL DATA

FILTER	700 MICRON
OPERATING FLOW RANGE	10 - 60 L/MIN
OPERATING PRESSURE RANGE	5 - 150 BAR
MAX OPERATING TEMPERATURE	90°C
NOZZLES POSITIONS	2-4
NOZZLES THREAD	1/4" NPT
MATERIAL	INOX AISI 316
ROTATION SPEED RANGE	15 TO 25 RPM
WEIGHT	3.9 Kg

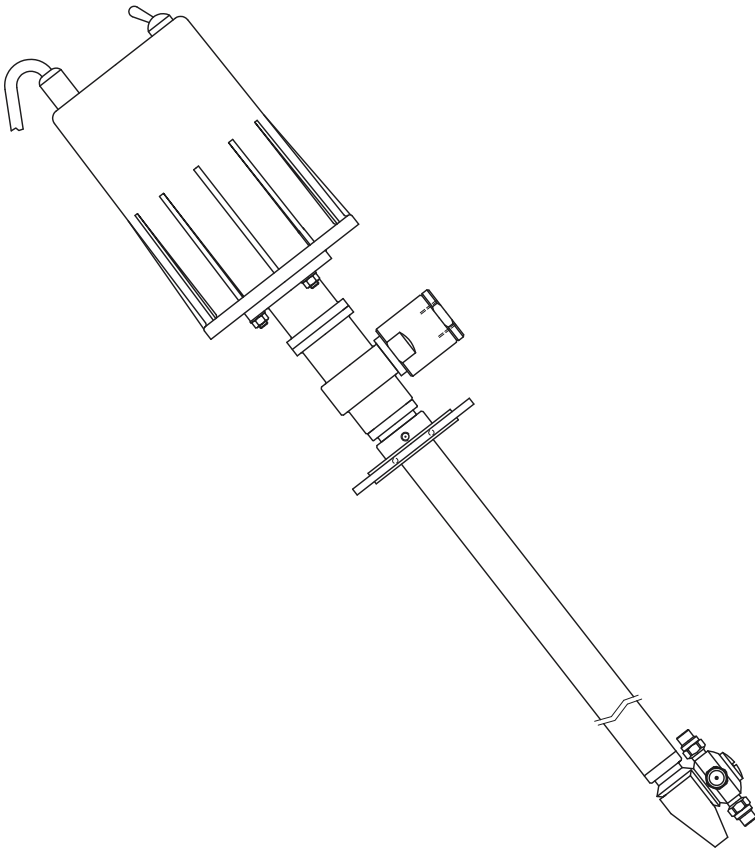
CH200A



DATI TECNICI | TECHNICAL DATA

FILTER	700 MICRON
OPERATING FLOW RANGE	60 - 200 L/MIN
OPERATING PRESSURE RANGE	5 - 200 BAR
MAX OPERATING TEMPERATURE	90°C
NOZZLES POSITIONS	2-4
NOZZLES THREAD	1/4" NPT
MATERIAL	INOX AISI 316
ROTATION SPEED RANGE	8 TO 18 RPM
WEIGHT	6.9 Kg

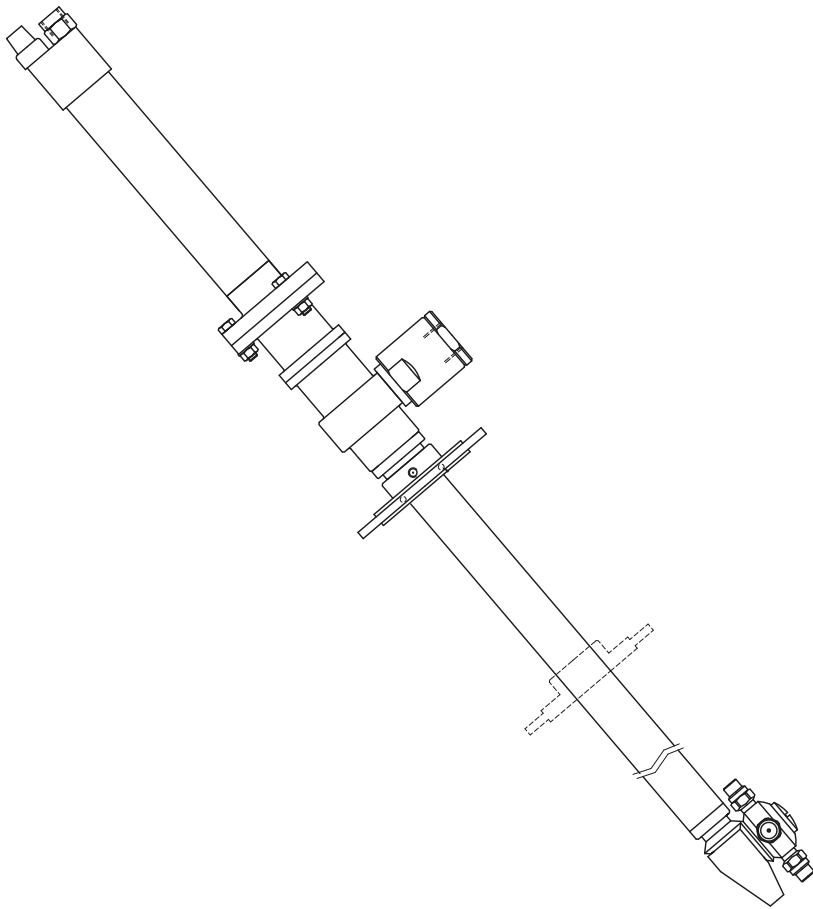
CH061E



DATI TECNICI | TECHNICAL DATA

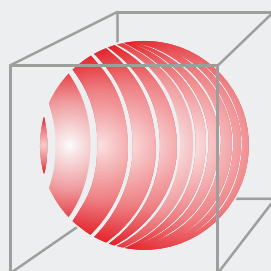
FILTER	700 MICRON
OPERATING FLOW RANGE	0 - 60 L/MIN
OPERATING PRESSURE RANGE	0 - 200 BAR
MAX OPERATING TEMPERATURE	90°C
NOZZLES POSITIONS	2-4
NOZZLES THREAD	1/8" NPT
MATERIAL	INOX AISI 316
ROTATION SPEED RANGE	14 TO 17 RPM
WEIGHT	7.5 Kg

CH061P



DATI TECNICI | TECHNICAL DATA

FILTER	700 MICRON
OPERATING FLOW RANGE	0 - 60 L/MIN
OPERATING PRESSURE RANGE	0 - 200 BAR
MAX OPERATING TEMPERATURE	90°C
NOZZLES POSITIONS	2-4
NOZZLES THREAD	1/8" NPT
MATERIAL	INOX AISI 316
ROTATION SPEED RANGE	19 TO 51 RPM
WEIGHT	7.5 Kg



CAGGIATI
INOX

Via G.Pastore 7/A - 43058 Sorbolo (PR) ITALY

Tel. +39.0521.698578 - Fax +39.0521.030554

www.caggiatiinox.com - info@caggiatiinox.com