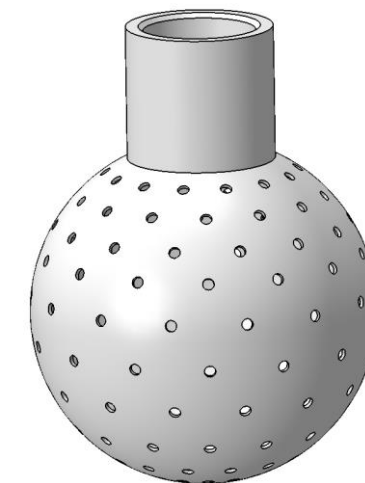
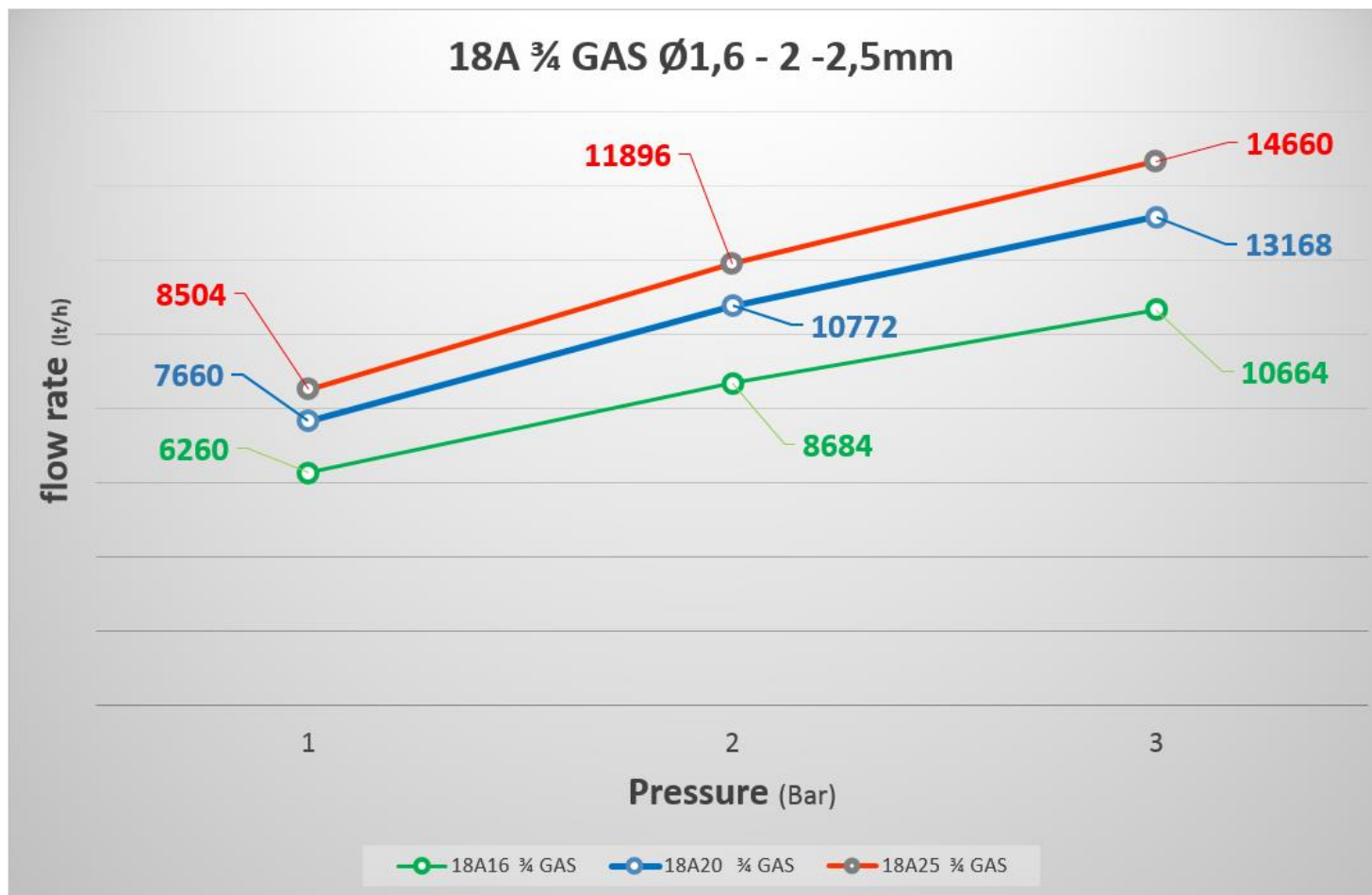
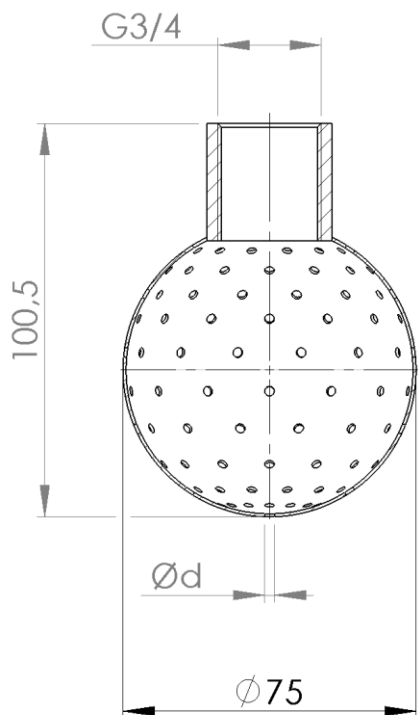




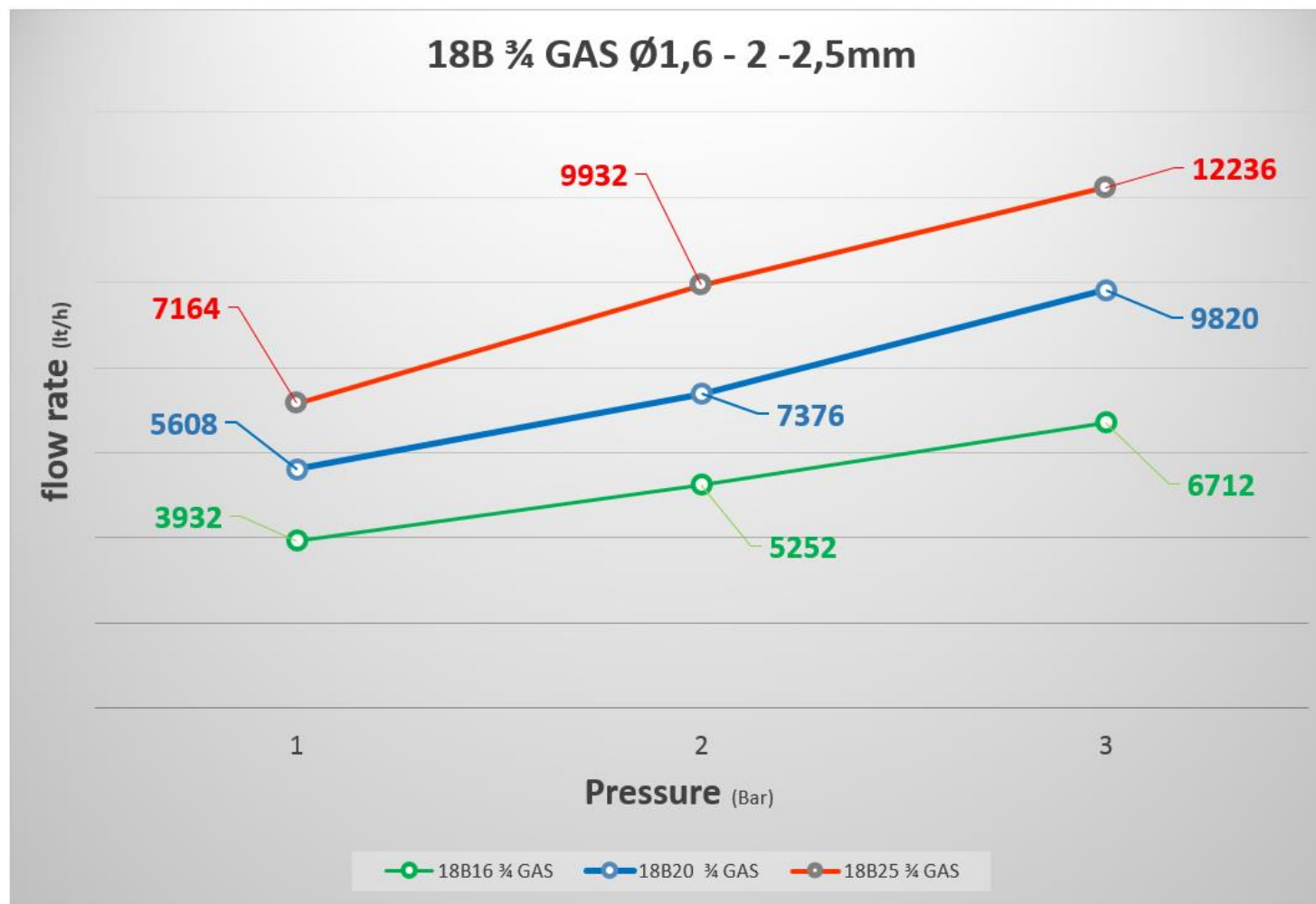
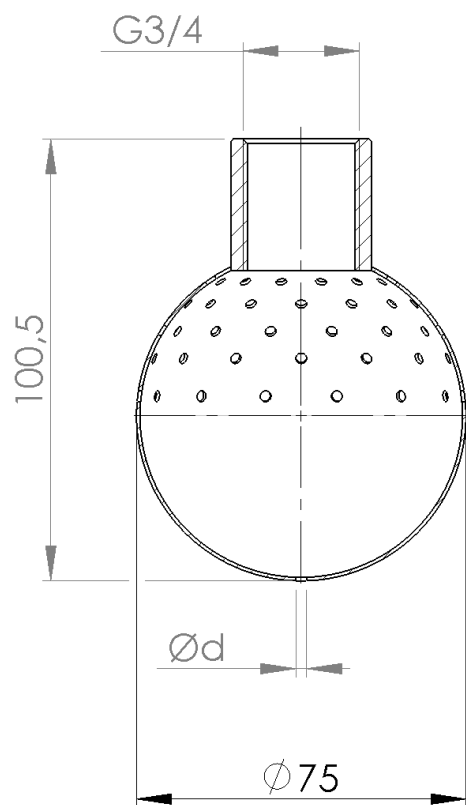
**CAGGIATI**  
**INOX**

Pressure (Bar)		1	2	3	Spray Pattern	Wetting radius (m)	Couplings
Code	Ød mm	flow rate (lt/h)					
18A16	1,6	<b>6260</b>	<b>8684</b>	<b>10664</b>	360°	1,5÷1,8	Female thread 3/4"G BSPT
18A20	2	<b>7660</b>	<b>10772</b>	<b>13168</b>	360°	1,5÷1,8	Female thread 3/4"G BSPT
18A25	2,5	<b>8504</b>	<b>11896</b>	<b>14660</b>	360°	1,5÷1,8	Female thread 3/4"G BSPT





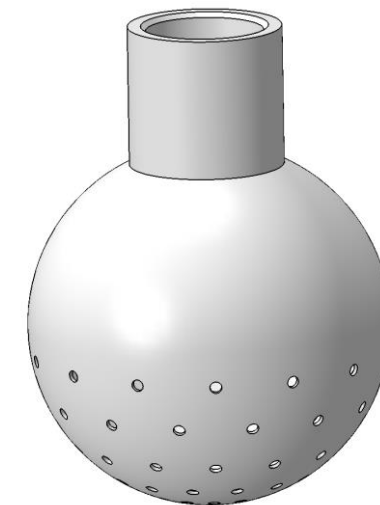
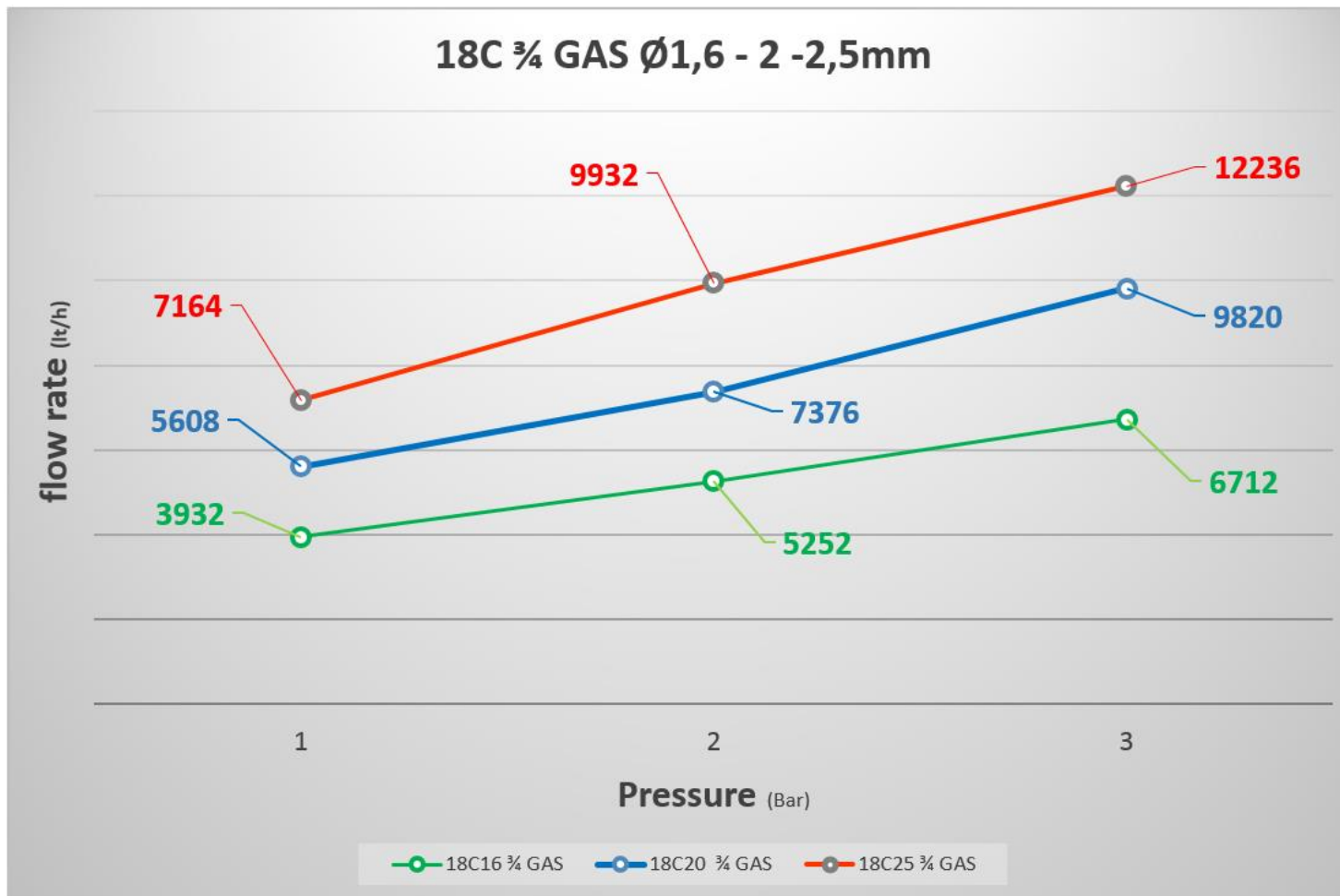
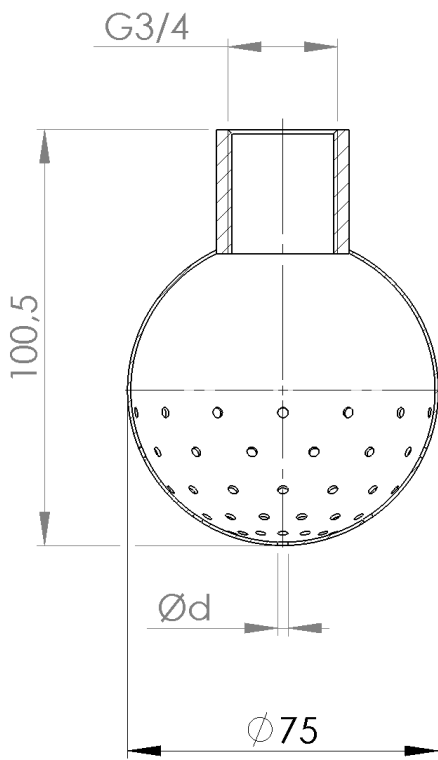
Pressure (Bar)		1	2	3	Spray Pattern	Wetting radius (m)	Couplings
Code	Ød mm	flow rate (lt/h)					
18B16	1,6	<b>3932</b>	<b>5252</b>	<b>6712</b>	180°↑	1,2÷1,4	Female thread 3/4"G BSPT
18B20	2	<b>5608</b>	<b>7376</b>	<b>9820</b>	180°↑	1,2÷1,4	Female thread 3/4"G BSPT
18B25	2,5	<b>7164</b>	<b>9932</b>	<b>12236</b>	180°↑	1,2÷1,4	Female thread 3/4"G BSPT





**CAGGIATI**  
**INOX**

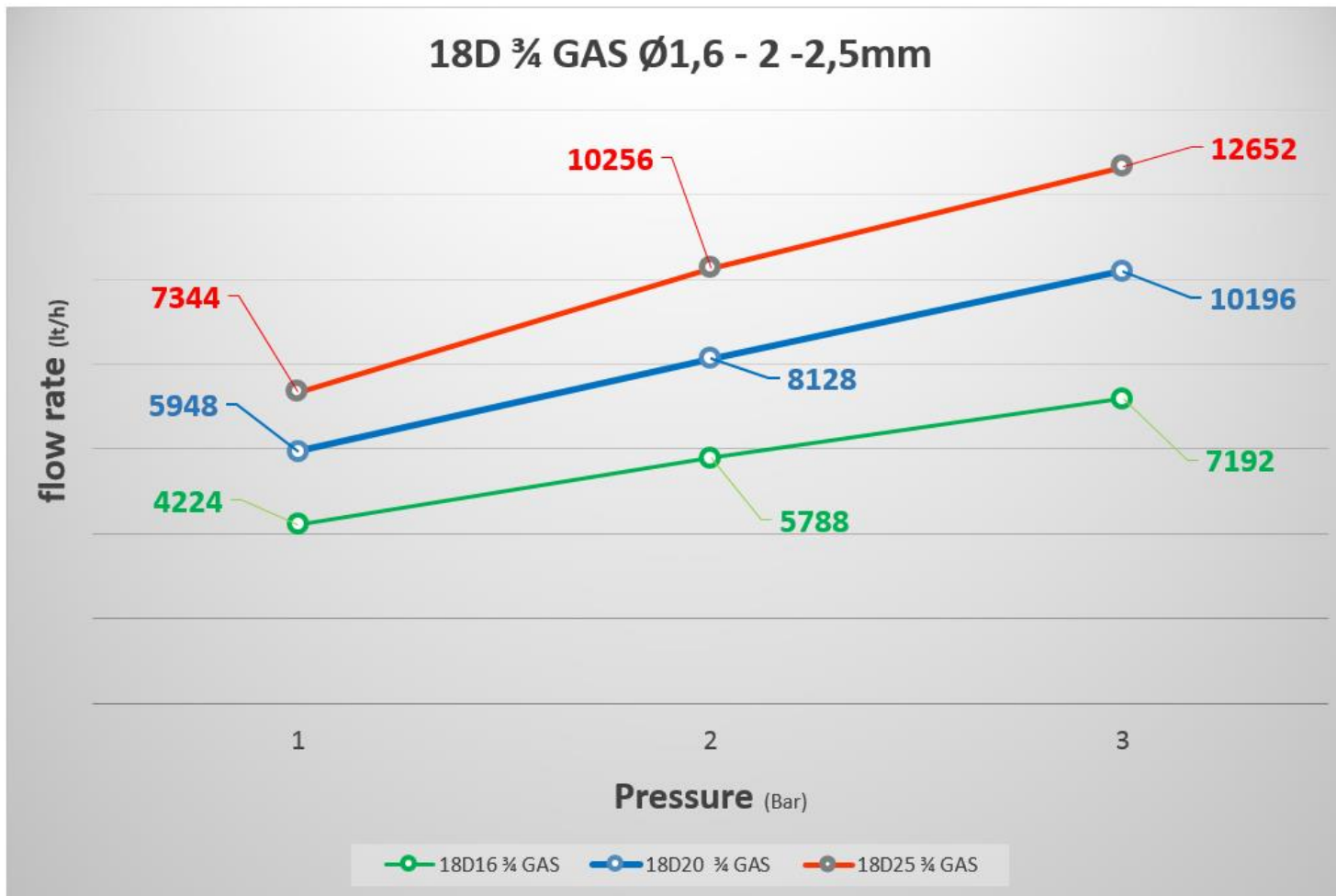
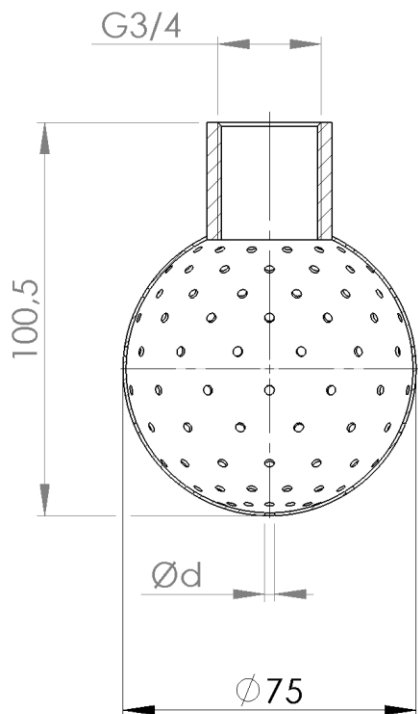
Pressure (Bar)		1	2	3	Spray Pattern	Wetting radius (m)	Couplings
Code	Ød mm	flow rate (lt/h)					
18C16	1,6	<b>3932</b>	<b>5252</b>	<b>6712</b>	180°↓	1,2÷1,4	Female thread 3/4"G BSPT
18C20	2	<b>5608</b>	<b>7376</b>	<b>9820</b>	180°↓	1,2÷1,4	Female thread 3/4"G BSPT
18C25	2,5	<b>7164</b>	<b>9932</b>	<b>12236</b>	180°↓	1,2÷1,4	Female thread 3/4"G BSPT





**CAGGIATI**  
**INOX**

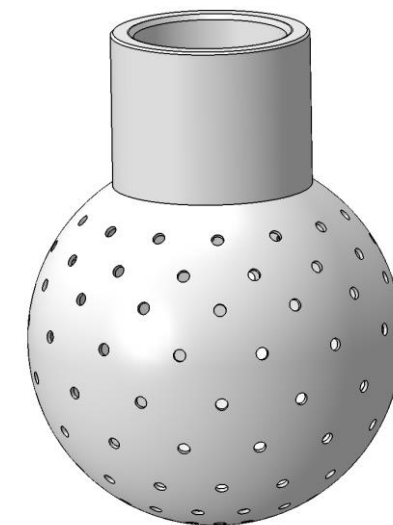
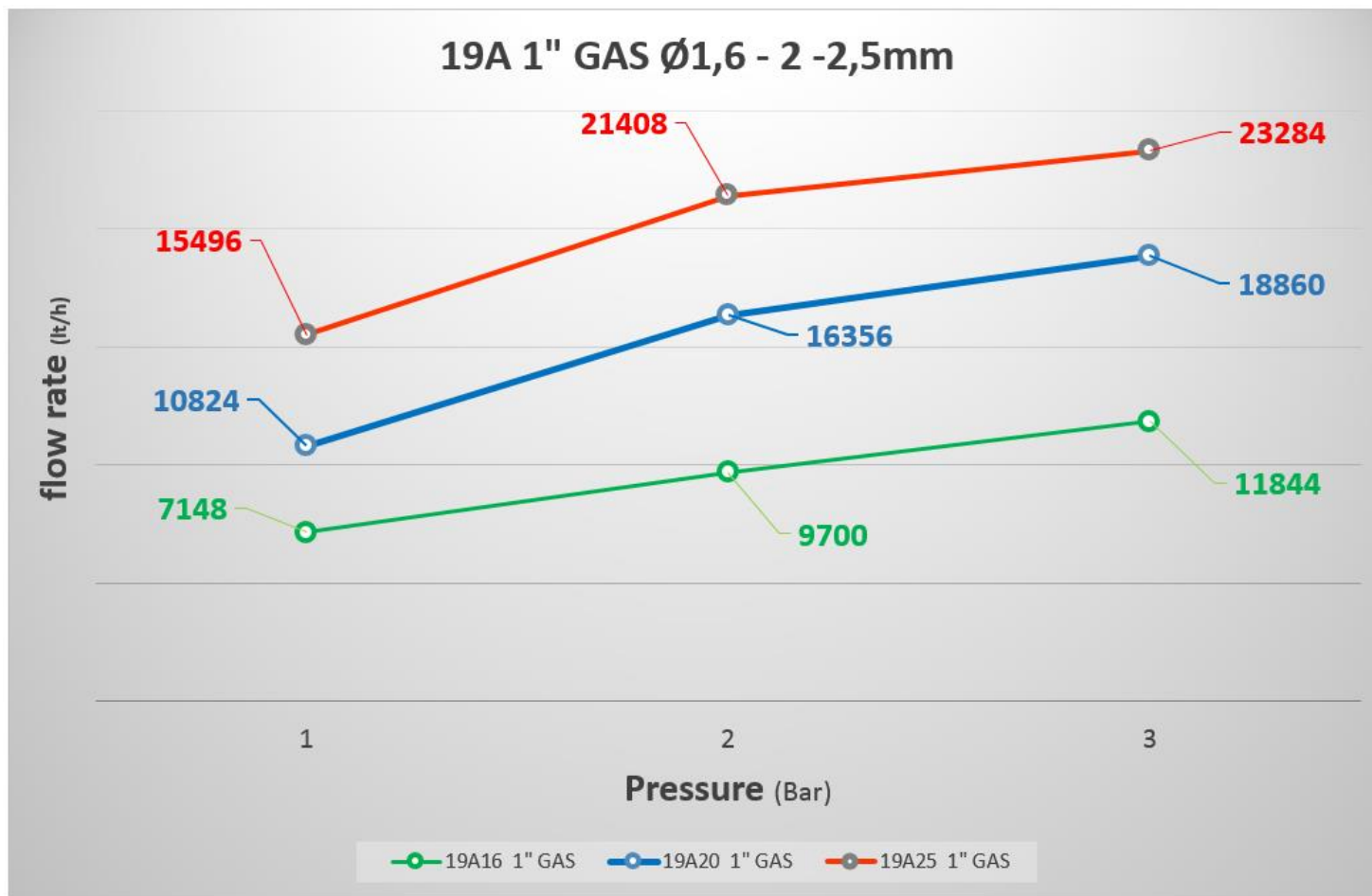
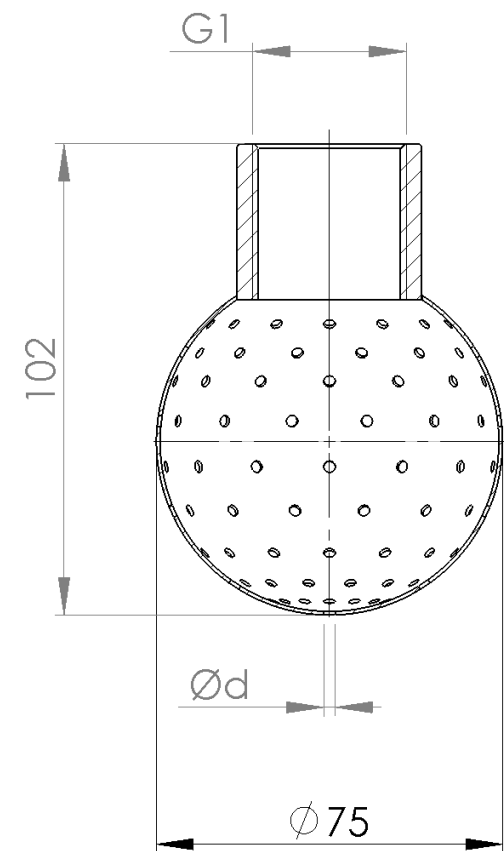
Pressure (Bar)		1	2	3	Spray Pattern	Wetting radius (m)	Couplings
Code	Ød mm	flow rate (lt/h)					
18D16	1,6	<b>4224</b>	<b>5788</b>	<b>7192</b>	180°→	1,2÷1,4	Female thread 3/4"G BSPT
18D20	2	<b>5948</b>	<b>8128</b>	<b>10196</b>	180°→	1,2÷1,4	Female thread 3/4"G BSPT
18D25	2,5	<b>7344</b>	<b>10256</b>	<b>12652</b>	180°→	1,2÷1,4	Female thread 3/4"G BSPT





**CAGGIATI**  
**INOX**

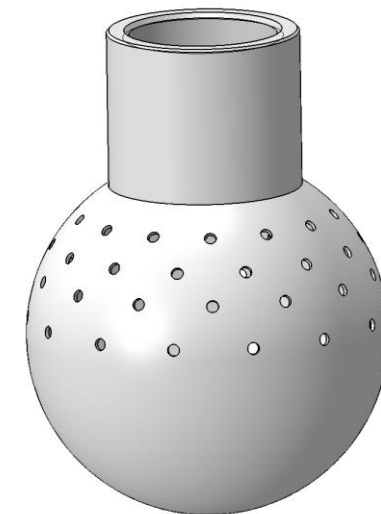
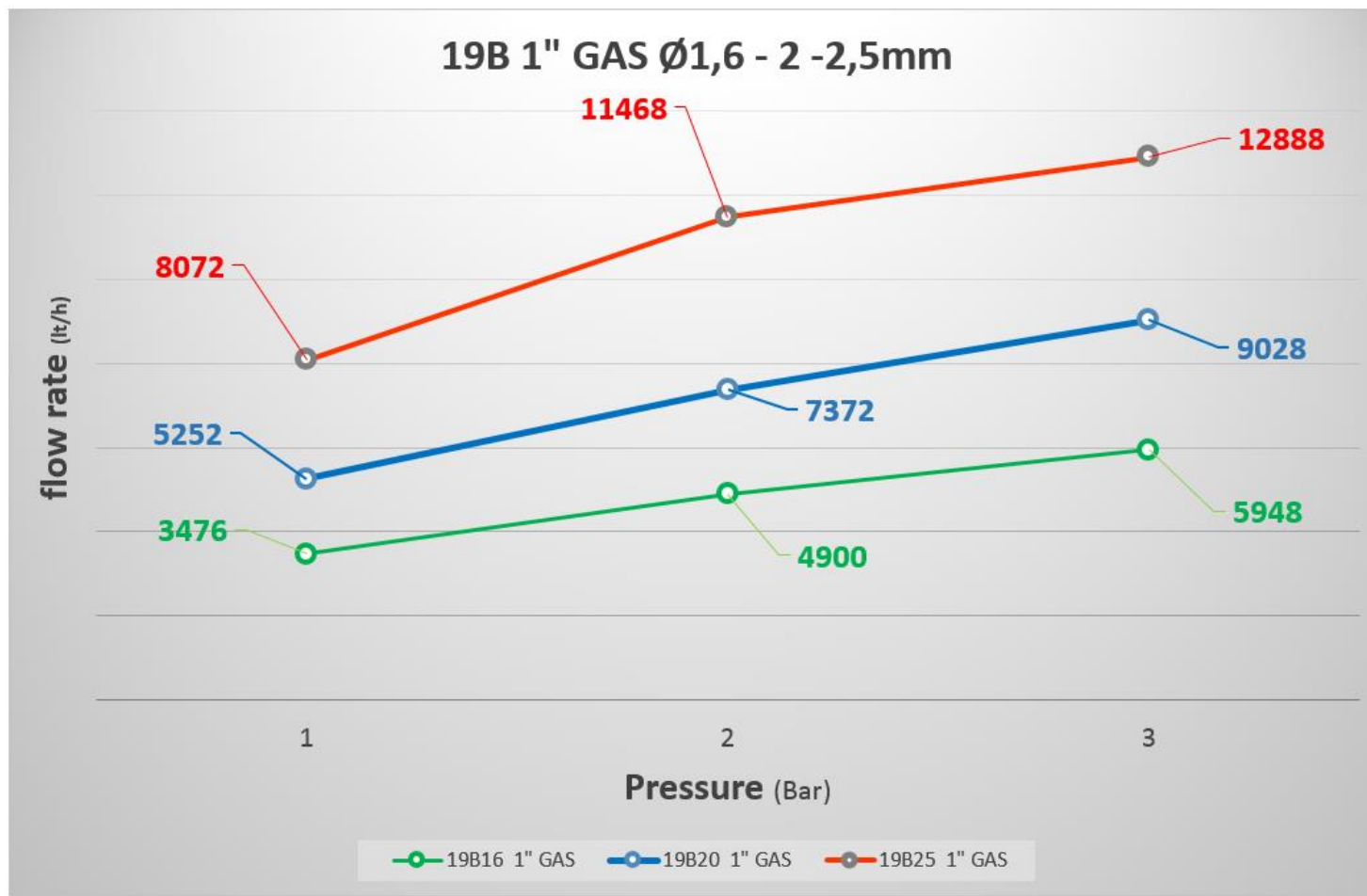
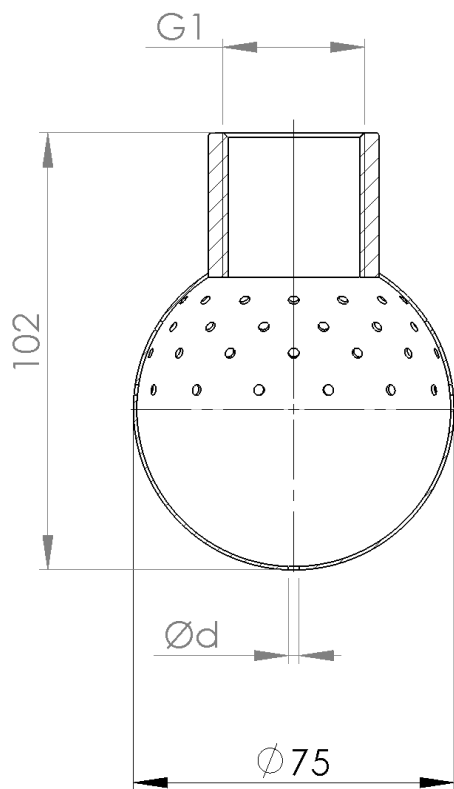
Pressure (Bar)		1	2	3	Spray Pattern	Wetting radius (m)	Couplings
Code	Ød mm	flow rate (lt/h)					
19A16	1,6	<b>7148</b>	<b>9700</b>	<b>11844</b>	360°	1,6÷2,1	Female thread 1"G BSPT
19A20	2	<b>10824</b>	<b>16356</b>	<b>18860</b>	360°	1,6÷2,1	Female thread 1"G BSPT
19A25	2,5	<b>15496</b>	<b>21408</b>	<b>23284</b>	360°	1,6÷2,1	Female thread 1"G BSPT





**CAGGIATI**  
**INOX**

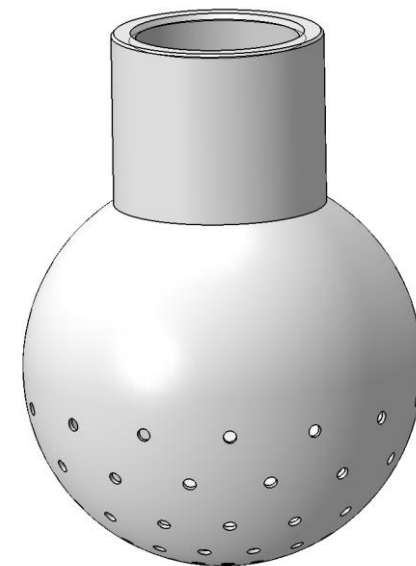
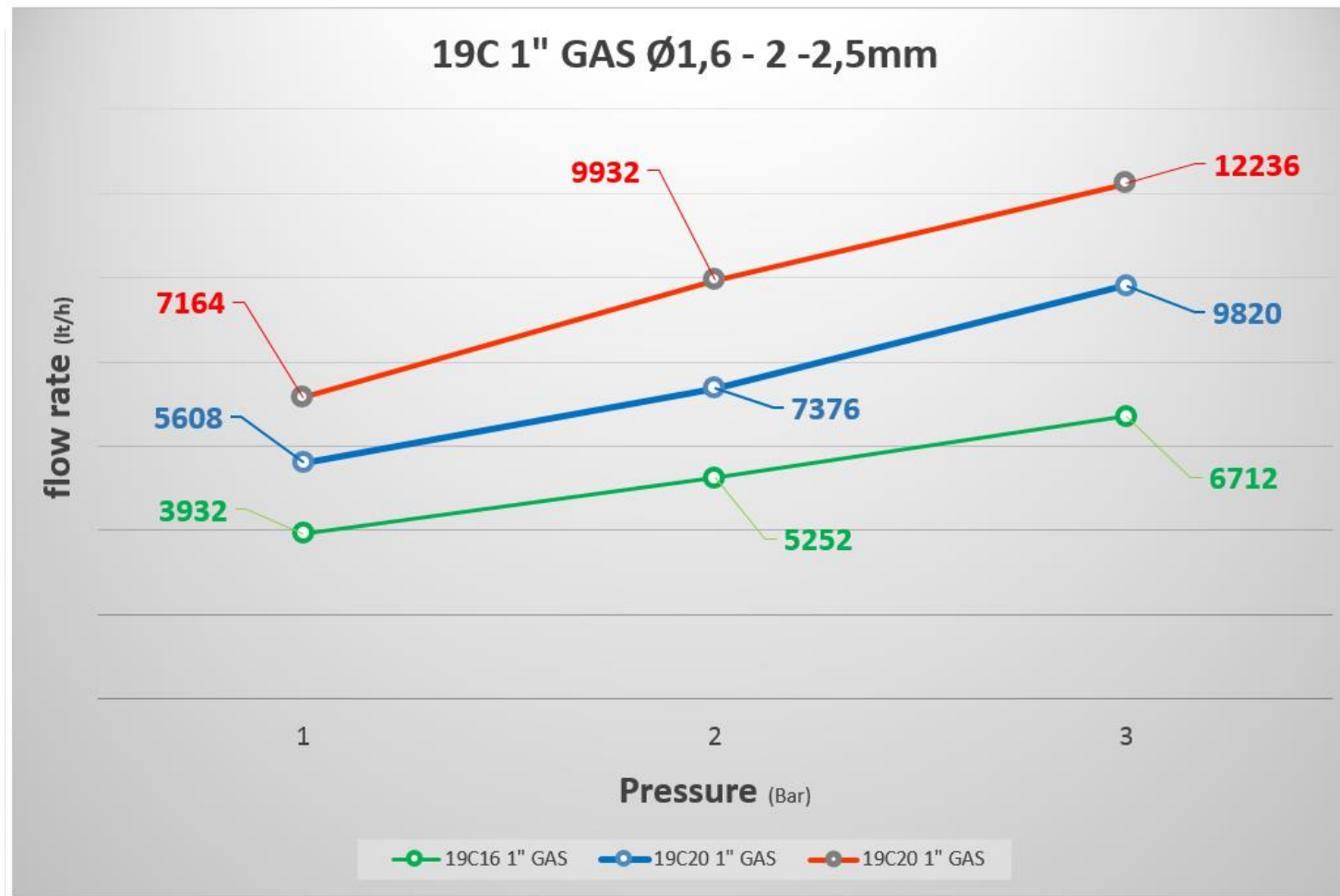
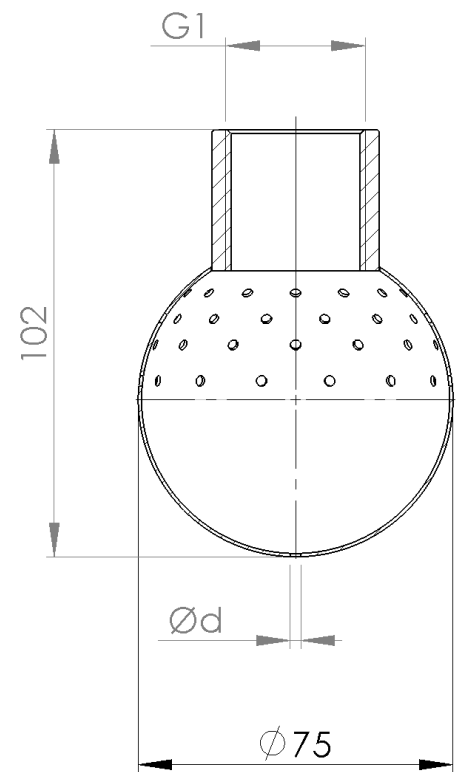
Pressure (Bar)		1	2	3	Spray Pattern	Wetting radius (m)	Couplings
Code	Ød mm	flow rate (lt/h)					
19B16	1,6	<b>3476</b>	<b>4900</b>	<b>5948</b>	180°↑	1,4÷1,6	Female thread 1"G BSPT
19B20	2	<b>5252</b>	<b>7372</b>	<b>9028</b>	180°↑	1,4÷1,6	Female thread 1"G BSPT
19B25	2,5	<b>8072</b>	<b>11468</b>	<b>12888</b>	180°↑	1,4÷1,6	Female thread 1"G BSPT





**CAGGIATI**  
**INOX**

Pressure (Bar)		1	2	3	Spray Pattern	Wetting radius (m)	Couplings
Code	Ød mm	flow rate (lt/h)					
19C16	1,6	<b>3932</b>	<b>5252</b>	<b>6712</b>	180°↓	1,4÷1,6	Female thread 1"G BSPT
19C20	2	<b>5608</b>	<b>7376</b>	<b>9820</b>	180°↓	1,4÷1,6	Female thread 1"G BSPT
19C25	2,5	<b>7164</b>	<b>9932</b>	<b>12236</b>	180°↓	1,4÷1,6	Female thread 1"G BSPT





**CAGGIATI**  
**INOX**

Pressure (Bar)		1	2	3	Spray Pattern	Wetting radius (m)	Couplings
Code	Ød mm	flow rate (lt/h)					
19D16	1,6	<b>3932</b>	<b>5252</b>	<b>6712</b>	180°→	1,4÷1,6	Female thread 1"G BSPT
19D20	2	<b>5608</b>	<b>7376</b>	<b>9820</b>	180°→	1,4÷1,6	Female thread 1"G BSPT
19D25	2,5	<b>7164</b>	<b>9932</b>	<b>12236</b>	180°→	1,4÷1,6	Female thread 1"G BSPT

